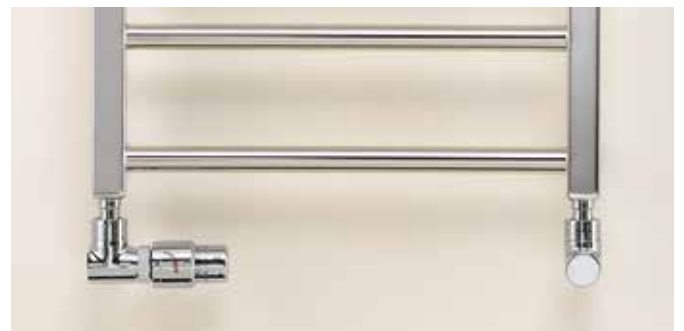


Zehnder Stalox



Radiator surface: Chrome



Operation on hot water central heating & open heating systems

Zehnder Stalox decorative radiator made from V4A polished stainless steel comprising horizontally arranged round tubes welded with vertical, square manifold tubes. Square manifold tubes 30 x 30 mm, horizontal round tubes Ø 23 mm. Thermal output to EN 422, with CE marking. 2 x 1/2" connection at the ends of the manifold tubes for flow, return and air vent. Delivered ready to install with matching wall brackets in stainless steel look and packaging. Radiator also available with powder coating in colour RAL 9016.

Benefits

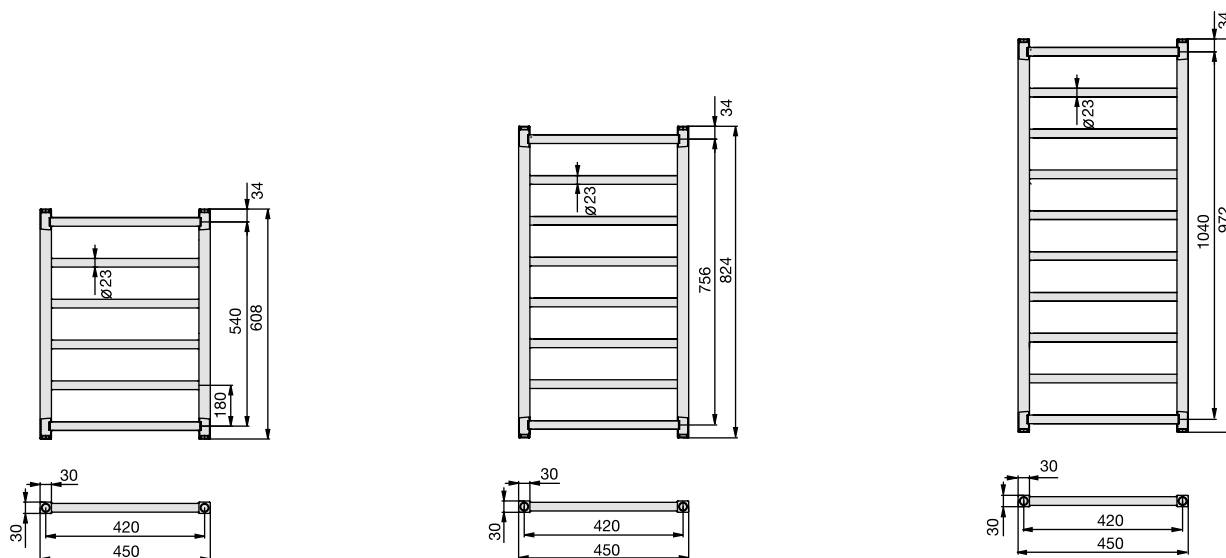
- For open heating system
- Entry-level model suitable for all types of tender businesses
- Small depth
- Flow and return freely selectable
- Classic design with square collectors
- Transparent look

Maximum operating pressure	max. 12 bar
Operating temperature	max. 120 °C
Height mm
Length mm
Model

Zehnder Stalox



Overview of models



Connection to hot water central heating and open heating systems

Painted version

Model	H mm	L mm	Thermal output				Exp. n	Classification Electric heating element Watt	V dm ³	M kg	Price RAL 9016 €
			EN 442① Watt	70/55/24 Watt	55/45/24 Watt	55/45/20 Watt					
STX-060-045	608	450	190	145	83	102	1,20	-	1,7	3,4	459,48
STX-080-045	824	450	247	189	108	133	1,20	-	2,3	4,5	512,93
STX-100-045	1040	450	310	237	135	166	1,21	300	2,8	5,6	612,31

High gloss stainless steel version

Model	H mm	L mm	Thermal output				Exp. n	Classification Electric heating element Watt	V dm ³	M kg	Price Stainless steel €
			EN 442① Watt	70/55/24 Watt	55/45/24 Watt	55/45/20 Watt					
STXI-060-045	608	450	125	96	55	68	1,17	-	1,6	3,7	654,89
STXI-080-045	824	450	167	128	73	88	1,25	-	2,2	4,9	754,30
STXI-100-045	1040	450	209	160	91	109	1,26	-	2,6	6,3	887,39

Standard scope of delivery for hot water central heating & open heating system

- High gloss stainless steel or on powder coating to DN55900, RAL 9016 on request
- 2 x 1/2" connections at bottom on the manifold tube
- Air vent 1/4"
- Mounting accessories in stainless steel look
- Packaging

Special version on request (surcharge)	Article number	Price €
■ Electric heating element for dual energy operation	-	See p. 161 onwards
■ Zehnder valves, lockshield valves and connection fittings	-	See p. 165 onwards

① Thermal output measured according to EN 442, ΔT 50 K (75/65/20 °C)