

Zehnder Metropolitan Bar



Radiator colour: Traffic White



Operation on hot water central heating system

Zehnder Metropolitan Bar decorative radiator for use as a bathroom and towel radiator. Flat-looking radiator with recessed slots, made from horizontally arranged flat tubes 70 x 8 mm, which are connected with a surrounding triangular profile frame without visible welded joints. With even structure incl. towel rail. Thermal output to EN 442; with CE marking. With 4 connections at bottom, 2 x central 1/2" for flow/return, spacing 50 mm and 2 x 1/2", outside left and right, with directional air vent.

Connections for Completto version: Flow/return 2 x 3/4" external thread at the back, centred 50 mm spacing, including valve and thermostat integrated into front panel.

Connections for dual energy operation: Flow/return 2 x 1/2" at bottom centre, spacing 50 mm and factory covered integrated electric heating element RACY-S, bottom right, with separate remote control device model 2.

Radiator with powder coating, in colour RAL 9016 as standard, in special colour on request. Delivered ready to install with matching wall brackets and packaging.

Operating pressure	max. 4,0 bar
Hot water central heating system operating temperature	max. 110°C
Dual energy operation operating temperature (model MEPM)	max. 95°C
Height mm
Length mm
Model

Electric operation

Zehnder Metropolitan Bar decorative radiator, electric-only, for use as a bathroom and towel radiator. Flat-looking radiator with recessed slots, made from horizontally arranged flat tubes 70 x 8 mm, which are connected with a surrounding triangular profile frame without visible welded joints. With even structure incl. towel rail.

Electric heating element RACY-S integrated elegantly in the frame profile, with connection cable (1,2 m), with Euro plug. Installation at bottom right. Dry-running protection against operation without sufficient heat transfer fluid, degree of protection IP44 (splash-proof), for mains power supply of 230 V.

Separate, battery-operated remote control device model 2 for controlling the room temperature.

Standard version with powder coating, in colour RAL 9016, in special colour on request. Filled with heat transfer fluid. Delivered ready to install with elegant wall brackets.

Output Watt
Height mm
Length mm
Model

Benefits

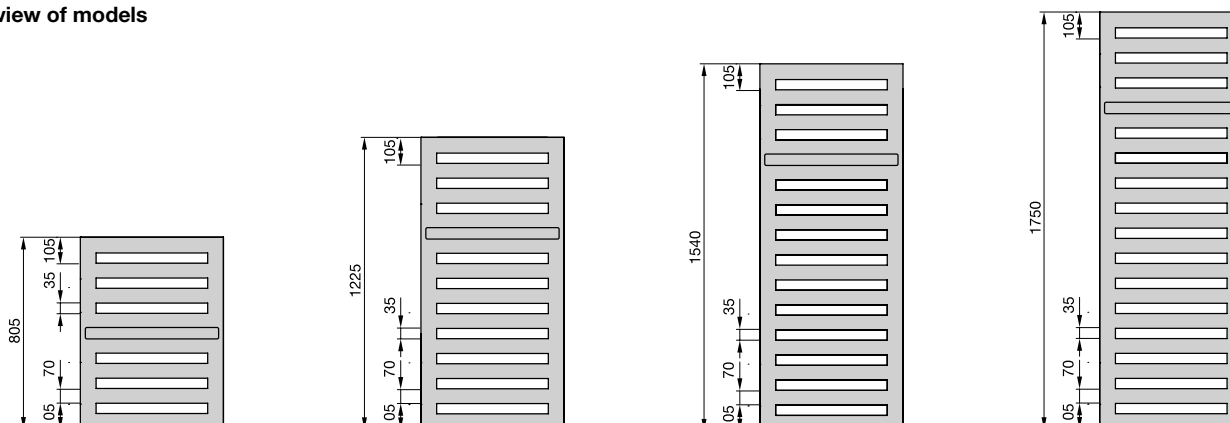
- Innovative radiator with flat design
- Clean look due to innovative welding technology
- Model with towel rail for easy hanging of towels
- Individually positionable designer towel hook
- Elegant solutions for valve integration on request
- Dual energy operation: electric heating element RACY-S integrated elegantly
- Side connections for easy replacement of old DIN standard radiators on request

Special benefits for electric operation with RACY-S

- Remote control device can be positioned as required
- Regulated room temperature
- Comfortable operation as needed by customisable daily and weekly programmes
- Energy-efficient and comfortable heating via innovative open window detection
- Low energy consumption in stand-by mode ($\leq 0,5$ W)
- Keylock can be activated as required
- Timer function for up to 2 hours
- Ready-to-plug

Zehnder Metropolitan Bar

Overview of models



Connection to hot water central heating system

Painted version with chrome-plated towel rail

Model	H ^① mm	L mm	Thermal output				Exp. n	Classification Electric heating element Watt	V dm ³	M kg	Price RAL 9016 €	Price ^② Cat. 1 €
			EN 442 ^③ W	70/55/24 W	55/45/24 W	55/45/20 W						
MEP-080-040	805	400	323	228	137	166	1,29	-	3,5	6,8	836,22	1.045,27
MEP-120-040	1225	400	469	332	201	242	1,28	-	4,9	10,3	918,14	1.147,67
MEP-150-040	1540	400	582	418	259	310	1,22	-	5,5	12,0	1.064,92	1.331,15
MEP-180-040	1750	400	663	467	282	340	1,29	-	6,7	14,4	1.179,24	1.474,05
MEP-080-050	805	500	387	273	165	199	1,29	-	4,0	8,2	851,57	1.064,47
MEP-120-050	1225	500	563	398	241	291	1,28	-	5,5	12,4	935,21	1.169,01
MEP-150-050	1540	500	730	523	323	387	1,23	-	6,2	14,4	1.085,39	1.356,74
MEP-180-050	1750	500	795	561	338	408	1,29	-	7,6	17,4	1.201,41	1.501,76
MEP-080-060	805	600	449	317	191	231	1,29	-	4,4	9,7	875,46	1.094,32
MEP-120-060	1225	600	653	462	279	337	1,28	-	6,1	14,5	960,79	1.201,00
MEP-150-060	1540	600	871	624	385	461	1,23	-	7,0	16,8	1.116,10	1.395,12
MEP-180-060	1750	600	922	650	392	473	1,29	-	8,5	20,4	1.235,57	1.544,46

Painted version with chrome-plated towel rail for installation below windows

Model	H mm	L mm	Thermal output				Exp. n	Classification Electric heating element Watt	V dm ³	M kg	Price RAL 9016 €	Price ^② Cat. 1 €
			EN 442 ^③ W	70/55/24 W	55/45/24 W	55/45/20 W						
MEP-060-090	595	900	447	314	189	228	1,30	-	4,7	10,1	930,10	1.162,61
MEP-070-090	700	900	517	364	218	264	1,30	-	5,2	11,8	950,57	1.188,20

Connection for dual energy operation with integrated electric heating element*



Painted version with chrome-plated towel rail

Model	H mm	L mm	Thermal output				Exp. n	Classification Electric heating element Watt	V dm ³	M kg	Price RAL 9016 €	Price ^② Cat. 1 €
			EN 442 ^③ W	70/55/24 W	55/45/24 W	55/45/20 W						
MEPM-120-050/GD	1225	500	563	398	241	291	1,28	500	5,4	13,3	1.467,90	1.688,07
MEPM-150-050/GD	1540	500	730	523	323	387	1,23	600	6,1	15,4	1.631,76	1.876,53
MEPM-180-050/GD	1750	500	795	561	338	408	1,29	750	7,5	18,3	1.740,42	2.001,49
MEPM-180-060/GD	1750	600	922	650	392	473	1,29	900	8,4	21,4	1.790,47	2.059,04

* Maximum operating pressure for dual energy operation is 4 bar

① For special colours in categories 1 and 2, see “Special solutions” and “Colour chart”

② Thermal output to EN 442, ΔT 50 K (75/65/20°C)

③ For Completto version (with integrated valve), note greater height; total height H_t = H + 175 mm

For legend, see “Electric operation and Ecodesign Directive” on page 173

Zehnder Metropolitan Bar



Electric-only operation



Painted version with chrome-plated towel rail

Model	H	L	Classification Electric heating element Watt	Price	Price ^①
	mm	mm		RAL 9016 €	Cat. 1 €
MEPE-080-040/GD	805	400	300	1.314,07	1.511,18
MEPE-150-040/GD	1540	400	500	1.622,91	1.866,35
MEPE-180-040/GD	1750	400	600	1.718,51	1.976,30
MEPE-120-050/GD	1225	500	500	1.476,19	1.697,61
MEPE-150-050/GD	1540	500	600	1.641,73	1.887,98
MEPE-180-050/GD	1750	500	750	1.750,95	2.013,59
MEPE-180-060/GD	1750	600	900	1.802,17	2.072,49

Standard scope of delivery for operation on hot water central heating system

- Powder coating to DIN 55900, RAL 9016
- 4 x ½" connections for flow, return
- Completo: Pre-adjustable valve AV 9, chrome thermostat, connections: 2 x ¾" external thread (at the back)
- Dual energy operation: Electric heating element RACY-S, pre-assembled on the right, with remote control device, incl. batteries, selectable operating modes: manual (above room temperature), weekly programme, timer, off
- ½" chrome directional air vent
- Towel rail in chrome
- Mounting accessories in colour of radiator
- Packaging

Standard scope of delivery for electric operation

- Powder coating to DIN 55900, RAL 9016
- Filled with heat transfer fluid
- Electric heating element RACY-S with remote control device, incl. batteries, with selectable operating modes: manual (above room temperature), weekly programme, timer, off
- Towel rail in chrome
- Mounting accessories in colour of radiator, with Technoline in RAL 7013 (brown-grey)
- Packaging

Special solution on request (surcharge)	Article number	Price €
■ Special finish to category 2 (surcharge on cat. 1)	M100011640	146,76
■ Special finish in Technoline (surcharge on cat. 1)	See colour chart	As in Cat. 2
■ Surface in metal look: stainless-steel look (reduced output approx. 8%)	M100012332	As in Cat. 1
■ Integrated valve including thermostat; note greater height (H _T = H + 175 mm, see drawing)	-	352,38
■ Side connection (both left or right); any connection size	-	186,33
■ Towel hook, for attaching, set of 2, chrome	480438	57,04
■ Towel rail for hanging towels on the side (295 mm in length), for radiators of length 400, chrome	468038	156,06
■ Towel rail for hanging towels on the side (395 mm in length), for radiators of length 500, chrome	468048	156,06
■ Towel rail for hanging towels (495 mm in length), for radiators of length 600, chrome	468058	156,06
■ Towel rail for hanging towels (795 mm in length), for radiators of length 900, chrome	468078	186,16
■ Zehnder thermostat SH, M 30 x 1,5, white	819080	38,09
■ Zehnder thermostat SH, M 30 x 1,5, chrome	819088	53,47
■ Zehnder valves, lockshield valves and connection fittings	-	See p. 165 onwards

① For special colours in categories 1 and 2, see "Special solutions" and "Colour chart"

For legend, see "Electric operation and Ecodesign Directive" on page 173

Zehnder Metropolitan Bar

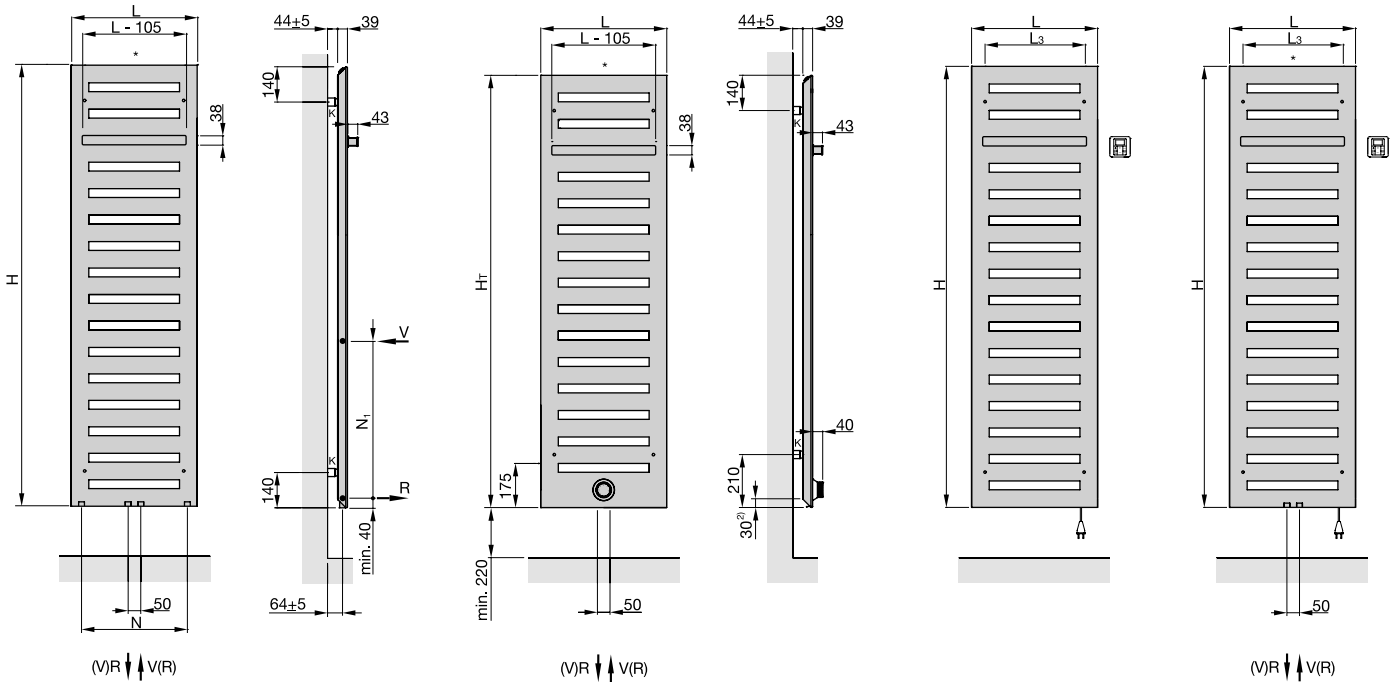
Operation on hot water central heating system:

Wall mounting

Integrated valve (Completo)¹⁾

Electric operation:

Dual energy operation:



Operation on hot water central heating system:

Version for installation below windows

- H = Height
- L = Length
- L₃ = Fixing dimension, L - 106 mm
- K = Bracket
- V = Flow 1/2"
- R = Return 1/2"
- * = Venting 1/2"
- N = Connection centre, L - 80 mm
- N₁ = Connection centre for side connection
- H_T = Total height, H + 175 mm

Dimensions in mm

- 1) Without internal by-pass for single-tube operation, not possible with dual energy operation
- 2) Distance from bottom edge of radiator to middle of connection

