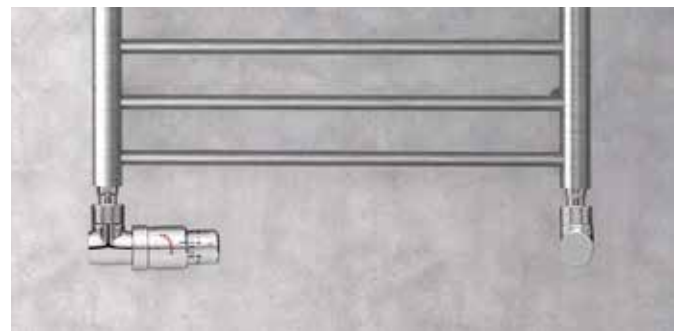
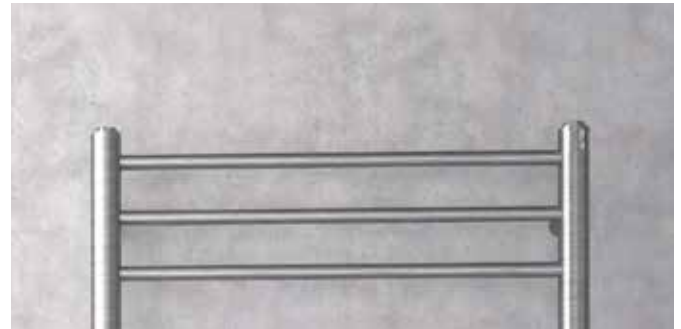


Zehnder Bluebell



Radiator surface: Stainless steel



Operation on hot water central heating & open heating systems

Zehnder Bluebell decorative radiator made from V4A stainless steel comprising horizontally arranged Ø 16 mm round tubes welded with vertical Ø 32 mm round manifold tubes. Thermal output to EN 422, with CE marking. 2 x ½" connection at the end of the manifold tubes for flow, return and air vent. Delivered ready to install with matching wall brackets in stainless steel and packaging.

Benefits

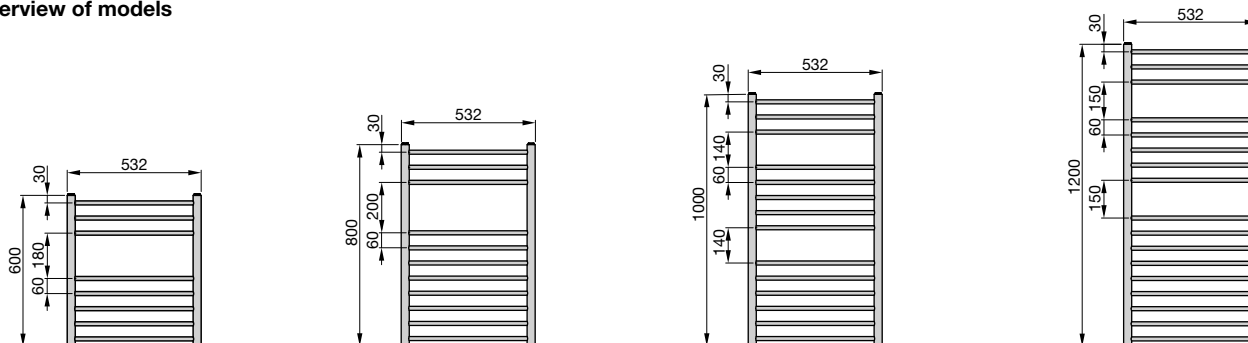
- For open heating system
- Entry-level model suitable for all types of tender businesses
- Small depth
- Flow and return freely selectable
- Classic and sophisticated design with round collectors

| | |
|----------------------------|---------------|
| Maximum operating pressure | max. 13,0 bar |
| Operating temperature | max. 120 °C |
| Height | mm |
| Length | mm |
| Model | |

Zehnder Bluebell



Overview of models



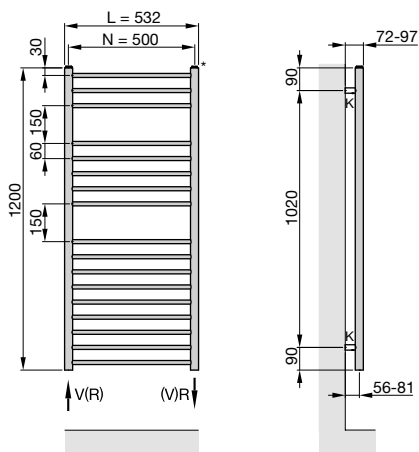
Connection to hot water central heating and open heating systems

Stainless steel version

| Model | H mm | L mm | Thermal output | | | | Exp. n | V dm ³ | M kg | Price Stainless steel € |
|--------------------|---------|---------|-----------------|------------------|------------------|------------------|-----------|----------------------|---------|----------------------------------|
| | | | EN 442③ Watt | 70/55/24 Watt | 55/45/24 Watt | 55/45/20 Watt | | | | |
| BLU-060-053 | 600 | 532 | 157 | 105 | 58 | 72 | 1,50 | 1,36 | 3,29 | 653,23 |
| BLU-080-053 | 800 | 532 | 199 | 128 | 68 | 86 | 1,63 | 1,83 | 4,35 | 694,93 |
| BLU-100-053 | 1000 | 532 | 248 | 155 | 78 | 101 | 1,74 | 2,3 | 5,41 | 792,22 |
| BLU-120-053 | 1200 | 532 | 307 | 179 | 82 | 109 | 2,00 | 2,78 | 6,47 | 910,36 |

Connection to hot water central heating system:

Wall mounting



- H = Height
- L = Length
- K = Bracket = 90
- V = Flow 1/2"
- R = Return 1/2"
- N = Boss spacing
- * = Air vent

Dimensions in mm