

STUDIO COLLECTION

ZEHNDER ARCHIBALD

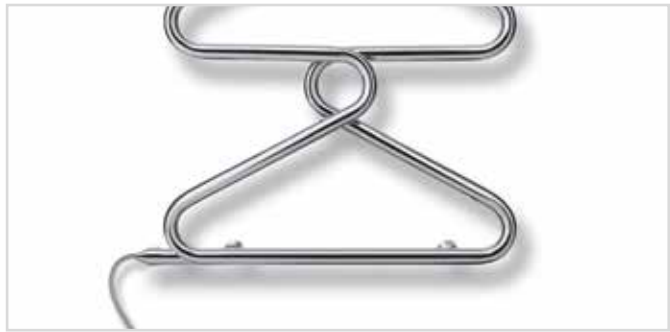
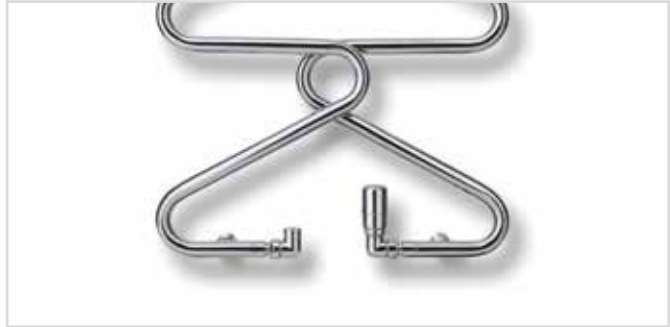
Always at your service. This unique decorative radiator is both elegant and highly functional. Zehnder Archibald from the Studio Collection is the perfect practical bathroom accessory, offering indulgently warm towels and creating a pleasant, comfortable indoor climate. Seamlessly formed from a single curved steel tube, the shape is as striking as the construction is unique. With Zehnder Archibald, designer Leo Salzedo has created a stylish and contemporary room feature that combines functionality with distinctive design.



STUDIO COLLECTION ZEHNDER ARCHIBALD



Radiator surface: Chrome



Operation on central heating system

Seamlessly formed from a single curved steel tube, the shape is as striking as the construction is unique. Zehnder Archibald from the Studio Collection creates a stylish and contemporary room feature that combines functionality with distinctive design. Its space-saving design can hold up to four towels, which can be heated simultaneously. Round tubes Ø 25 mm made of steel.

Thermal outputs to EN 442, with CE marking. Standard 2 × ½" with female thread, flow/return installed with left-hand or right-hand option, at the bottom horizontal facing inwards, ¼" vent at the top facing the rear. Ideal with valve unit and return screw connection in an angle-angle design.

Radiator with powder coating, in the colour RAL 9016 as standard, in a special colour or in chrome on request. Delivered ready to install with matching wall brackets in colour of radiator.

Electric operation

Seamlessly formed from a single curved steel tube, the shape is as striking as the construction is unique. Zehnder Archibald creates a stylish and contemporary room feature that combines high functionality with distinctive design. Its space-saving design can hold up to four towels, which can be heated simultaneously.

Round tubes Ø 25 mm made of steel. With integrated electric heating element, degree of protection IP44 (splash-proof), for mains power supply of 230 V. With connection cable 1.2 m in length with two pin plug. White cable, plug and cable cover; chrome radiators have a grey cable and plug with a chrome cable cover. Decorative radiator filled with heat transfer fluid. The electric heating element does not have any operating options. The control has to be planned and executed on site.

Radiator with powder coating, in colour RAL 9016 as standard, in special colour or chrome on request. Delivered ready to install with matching wall brackets in colour of radiator.

Operating pressure	max. 12.0 bar	Output W
Operating temperature	max. 110 °C	Height mm
Height mm	Length mm
Length mm	Model
Model		

Advantages

- Innovative design
- Seamlessly finished with curved steel
- Ideal for hanging up towels
- Space-saving design

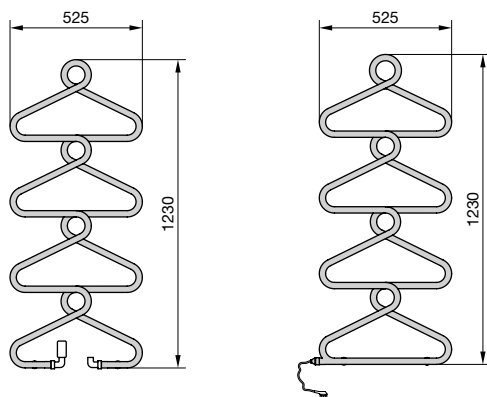
Special benefits for electric operation

- On-site control
- Fixed medium temperature of approx. 70 °C
- Ready-to-plug
- Cable, plug and cable cover in white or grey/chrome depending on version

STUDIO COLLECTION ZEHNDER ARCHIBALD

Overview of models

Operation on central heating system Electric operation



Connection to hot water central heating system

Painted version

Model	H mm	L mm	Thermal output				Exp. n	Classification Electric heating element Watt	V dm ³	M kg	Price RAL 9016 €	Price ^① Cat. 1 €
			EN 442 ^② W	70/55/24 W	55/45/24 W	55/45/20 W						
ABZ-120-50	1230	525	336	241	150	179	1.22	-	2.3	4.6	1.245,35	1.556,68

Chrome-plated version

Model	H mm	L mm	Thermal output				Exp. n	Classification Electric heating element Watt	V dm ³	M kg	Price Chrome €
			EN 442 ^② W	70/55/24 W	55/45/24 W	55/45/20 W					
ABZC-120-50	1230	525	233	166	102	122	1.25	-	2.3	4.6	1.731,75

Electric-only operation

Painted version



Model	H mm	L mm	Classification Electric heating element Watt	Price RAL 9016 €	Price ^① Cat. 1 €
ABZ-120-50/AD	1230	525	200	1.636,40	1.881,86

Chrome-plated version

Model	H mm	L mm	Classification Electric heating element Watt	Price Chrome €
ABZC-120-50/AD	1230	525	200	2.170,36

Standard scope of delivery for operation on central heating system

- Powder coating to DIN 55900, RAL 9016
- 2 x ½" connections for flow, return
- 1 x ¼" vent
- Elegant wall brackets in radiator colour
- Packaging

Standard scope of delivery for electric operation

- Powder coating to DIN 55900, RAL 9016
- Filled with heat transfer fluid, frost-proof to -10 °C
- Built-in electric heating element, integrated into the design
- Elegant wall brackets in radiator colour
- Packaging

① For special colours in categories 1 and 2, see special solutions and colour chart

② Thermal output to EN 442, ΔT 50 K (75/65/20 °C)

For keywords, see 'Electric operation and Ecodesign Directive' on page 173

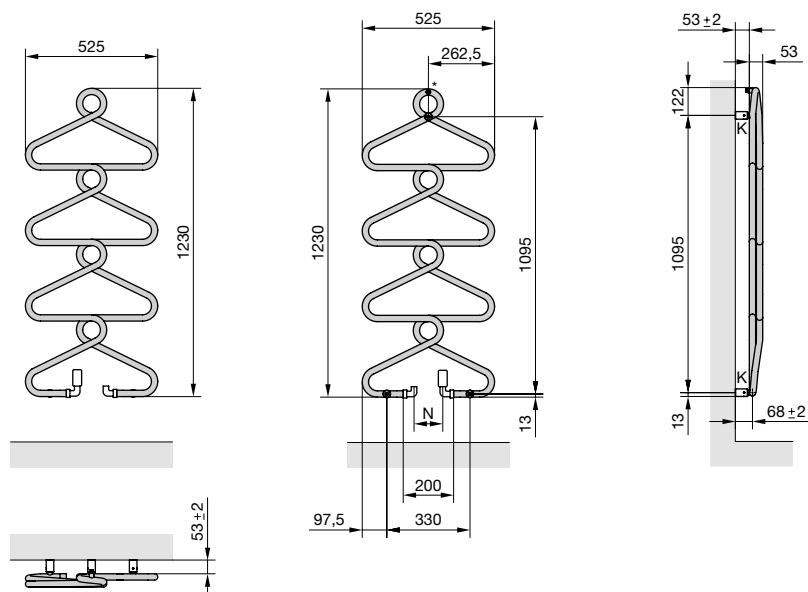
STUDIO COLLECTION ZEHNDER ARCHIBALD

Special solution on request (surcharge)	Article no.	Price €
■ Special finish to category 2 (surcharge on cat. 1)	-	146,76
■ Zehnder thermostat	-	see page 164
■ Zehnder valves, return screw connections in an angle-angle design	-	see page 165 onwards

Operation on central heating system:

Wall mounting

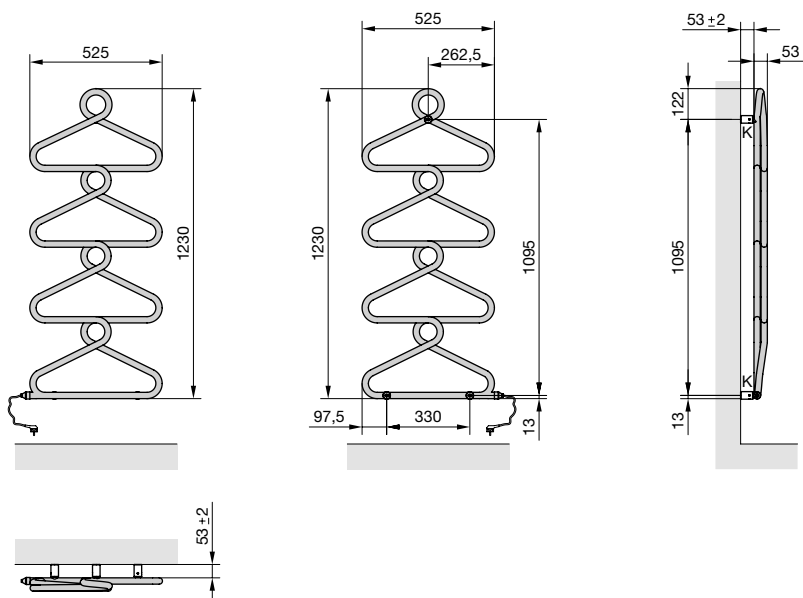
Back cover



Electric operation:

Wall mounting

Back cover



- K = Bracket(s)
- N = Connection size depends on the valve or return screw connection
- * = Vent

Dimensions in mm