

STUDIO COLLECTION

ZEHNDER FOLIO BELT

With an impressive flat surface, full closed edging and gently tapered silhouette, Zehnder Folio Belt from the Studio Collection is highly appealing with its unusually light and floating appearance. The design of this radiator, which has a projection of only 16 millimetres depth, has only been made possible by the development of innovative design elements and materials. The striking flat shape of Zehnder Folio Belt is a result of innovative heating technology. The material and colour can be selected to make the radiator blend harmoniously into your interior design concept or else create a pleasing contrast. Painted surfaces or anodised aluminium allow the heat to flow elegantly and efficiently into the room, and with one or two towel rails, it also offers maximum style and comfort in the bathroom.





Radiator surface: anodised aluminium

STUDIO COLLECTION ZEHNDER FOLIO BELT



Radiator surface: anodised aluminium



Radiator surface: anodised aluminium / white matt

Operation on central heating system

The impressive Zehnder Folio Belt from the Studio Collection features an unusually light and floating appearance. The design of this radiator, which has a projection of only 16 millimetres depth, has only been made possible by the development of innovative design elements and materials.

Heating register made of copper pipe Ø 12 mm, embedded in an aluminium honeycomb construction, which is enclosed by expanded natural graphite, 45° inclined edges made of polyamide. One or two (depending on model, according to overview of models) chrome-plated towel rails 40 x 4 mm, for installation at a fixed predefined position, included in scope of delivery.

Thermal output to EN 442, with CE marking. With two connections ½" female thread for flow/return at the bottom centre, distance of 50 mm, decorative directional air vent ½" at the top rear.

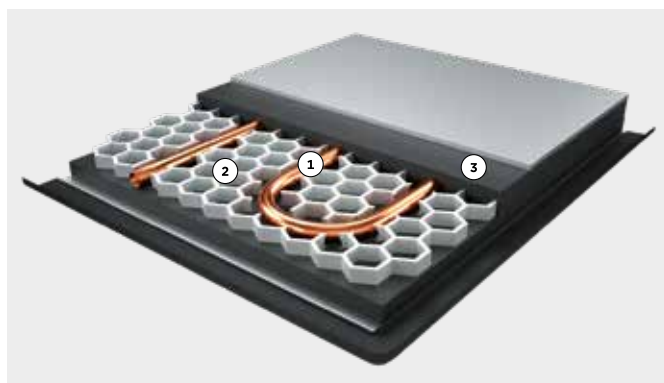
Front and back made of aluminium available in all colours according to the Zehnder colour chart as well as in the specified surfaces, back with anodised aluminium finish in matt black. Delivered ready to install with elegantly shaped wall brackets in radiator colour (anodised aluminium surface: wall brackets in matt black).

Operating pressure	max. 10.0 bar
Operating temperature	max. 80 °C
Height mm
Length mm
Model

Advantages

- Innovative heating technology
- Sleek, elegant design
- Smooth surface makes for easy cleaning
- Convenient for hanging up towels

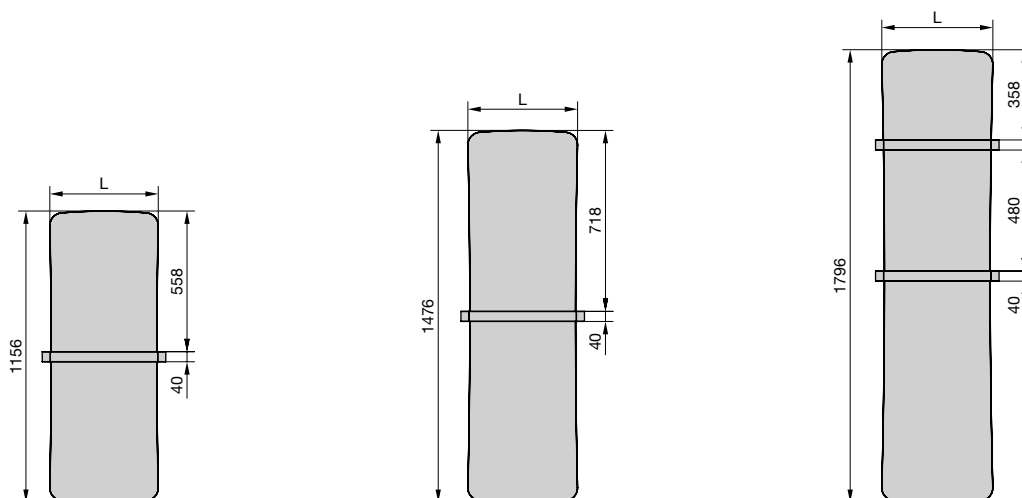
Construction



At the core of this decorative radiator is a heating register made of copper (1), embedded in an aluminium honeycomb construction (2), which is surrounded by expanded natural graphite (3). Thanks to this special, newly developed design and an innovative manufacturing technique, Zehnder was able to develop this very thin and ultra-light radiator without compromising on performance. The natural graphite used is an innovative material with ideal properties such as high thermal conductivity, low density and resistance to ageing.

STUDIO COLLECTION ZEHNDER FOLIO BELT

Overview of models



Connection to hot water central heating system

Painted version

Model	H mm	L mm	Thermal output				Exp. n	Classification Electric heating element Watt	V dm ³	M kg	Price RAL 9016 €	Price ^① Cat. 1 €
			EN 442 ^② W	70/55/24 W	55/45/24 W	55/45/20 W						
FZB-120-042	1156	430	399	288	180	215	1.20	-	0.5	6.2	1.326,01	1.657,51
FZB-150-042	1476	435	504	364	227	271	1.20	-	0.6	8.5	1.564,23	1.955,30
FZB-180-042	1796	441	614	444	277	330	1.20	-	0.6	12.8	1.750,03	2.187,54
FZB-120-052	1156	530	485	350	219	261	1.20	-	0.6	8.0	1.352,98	1.691,22
FZB-150-052	1476	535	611	441	276	329	1.20	-	0.7	10.2	1.595,70	1.994,63
FZB-180-052	1796	540	762	551	344	410	1.20	-	0.8	14.7	1.785,98	2.232,48
FZB-150-062	1476	635	718	519	324	386	1.20	-	0.8	12.0	1.646,65	2.058,31
FZB-180-062	1796	640	912	657	409	488	1.21	-	1.0	16.4	1.841,43	2.301,79
FZB-180-072	1796	740	1064	765	474	566	1.22	-	1.2	18.1	1.902,86	2.378,59

Standard scope of delivery for operation on central heating system

- Powder coating to DIN 55900, RAL 9016
- 1 or 2 chrome towel rails depending on version
- 2 x 1/2" connections at bottom, centre 50 mm
- 1/2" directional air vent
- Elegant wall brackets
- Packaging

① For special colours in categories 1 and 2, see special solutions and colour chart

② Thermal output to EN 442, ΔT 50 K (75/65/20 °C)

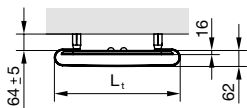
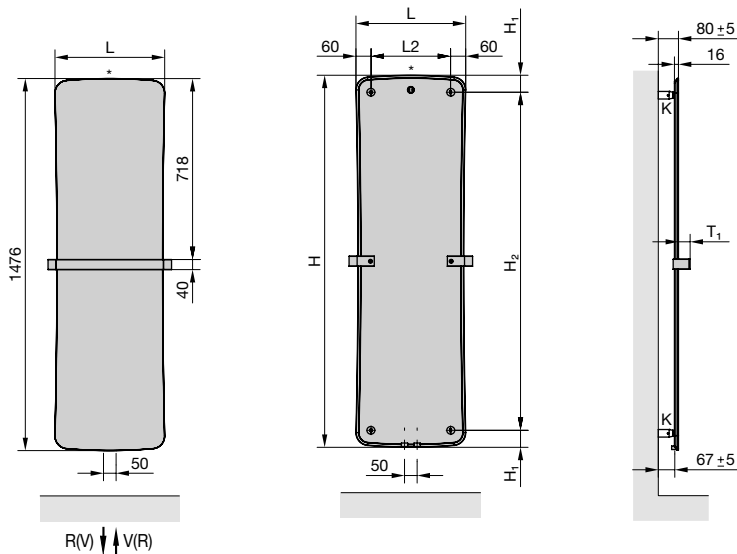
STUDIO COLLECTION ZEHNDER FOLIO BELT

Special solution on request (surcharge)	Article no.	Price €
■ Special finish to category 2 (surcharge on cat. 1)	-	146,76
■ Highly-polished metal surfaces: anodised aluminium	-	as in Cat. 1
■ Zehnder thermostat	-	see page 164
■ Zehnder valves, return screw connections and fittings	-	see page 165 onwards

Operation on central heating system:

Wall mounting

Back cover



Model	H mm	L mm	H ₁ mm	H ₂ mm	L ₂ mm	L _t mm	T ₁ mm
FZB-120-042	1156	430	67	1022	310	490	46
FZB-150-042	1476	435	67.5	1341	315	490	46
FZB-180-042	1796	441	67.5	1661	321	490	46
FZB-120-052	1156	530	72	1012	410	590	48
FZB-150-052	1476	535	72.5	1331	415	590	48
FZB-180-052	1796	540	73	1650	420	590	48
FZB-150-062	1476	635	79	1318	515	690	50
FZB-180-062	1796	640	79.5	1637	520	690	50
FZB-180-072	1796	740	87	1622	620	790	52